

DESCRIPTION:

Thermodynamic steam trap with universal connector provides a handy solution for maintenance and replacement without disturbing the existing piping.

FEATURES:

The universal connector, once installed, remains on the pipeline permanently. The trap itself is attached to the connector by two bolts, enabling quick installation and replacement. The connector design facilitates vertical / horizontal installation or any angle in-between, regardless of piping configuration.

Ideal for on/off discharge with tight shut off and no-bleed or "controlled" leakage in constant pressure / constant load applications.

The trap is of stainless steel construction and integral seat design with hardened disc and seating surface.

SIZES: NPS ½, ¾ (DN15, 20)

CONNECTIONS: Screwed (NPT/BSPT/BSP)
Socket weld

Non IBR¹ / IBR approved

LIMITING CONDITIONS:

PMA: Max. allowable pressure	600 psig	42 kg/cm ² (g)
TMA: Max. allowable temp.	800 °F	426 °C
Maximum operating back pressure at the outlet should not exceed 80% of the inlet pressure.		
Minimum differential pressure for satisfactory operation	3.5 psi	0.25 kg/cm ²
Cold hydro test pressure	1200 psig	84 kg/cm ² (g)

INSTALLATION:

The connector can be installed in horizontal or vertical lines. The connector face must be in a vertical plane. The trap should be fitted to the connector with its cap uppermost. Full-port isolating valves should be installed upstream and downstream of the connector.



Picture shows the PT18 trap fitted with a PU11 connector

MAINTENANCE:

The trap can be removed for repair or replacement without disturbing the connector piping connections. Complete isolation of the connector from both supply and return line is required before the trap is removed. The trap should be removed from the connector and inspected and cleaned periodically.

IMPORTANT:

The trap should be installed as close as possible to the line to be drained.

For new pipelines, ensure that the lines are properly flushed, prior to fitting the traps, to avoid strainer choke-up.

¹Indian Boiler Regulations

MATERIAL:

No.	PART	MATERIAL	QTY. (Nos.)
1.	BODY (Seat Hardened)	ASTM A743 Gr. CA40 (Cast Equiv. AISI 420)	01
2.	CONNECTOR	ASTM A351 Gr. CF8	01
3.	FLANGE	AISI 410	01
4.	DISC CAP	ASTM A743 Gr. CA40 (Cast Equiv. AISI 420)	01
5.	DISC (Hardened)	AISI 410	01
6.	RETAINER RING	STAINLESS STEEL	01
7.& 8.	GASKET	SPIRAL WOUND (SS) WITH GRAFOIL FILLER	02
9.	BOLT	ASTM A193 Gr. B7 / SS	02
10.	STRAINER SCREEN	AISI 304 (Perforated Sheet)	01
11.	STRAINER CAP	ASTM A743 Gr. CA40 (Cast Equiv. AISI 420)	01
12.*	ISOTUB	STAINLESS STEEL	01

Items 10 & 11 are parts of PU11Y

*** OPTIONAL FITTINGS:**

ISOTUB: An insulating cover reduces the effect of excessive heat loss resulting from low ambient temperatures, wind, rain, etc.

BLOW-DOWN VALVE: When the blow-down valve is opened, loose material collected in the strainer is purged.

DIMENSIONS - Nominal in inches (mm)

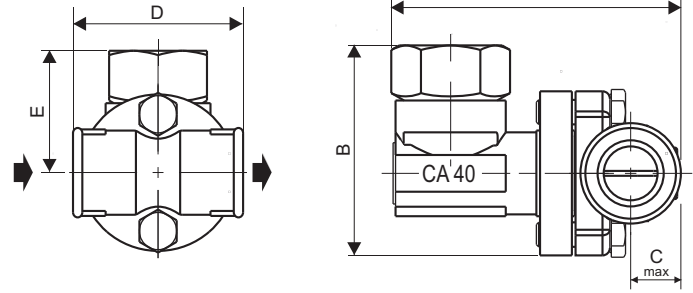
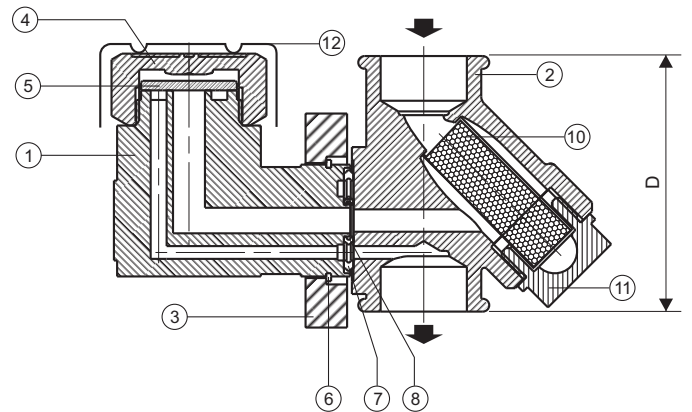
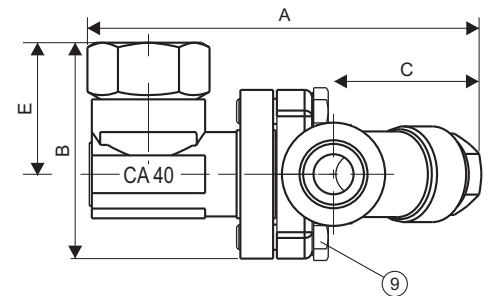
MODEL	A	B	C	D	E	Wt.
PT18	4.64	3.38	1.69	2.87	2.02	3.68 lbs
	(118)	(86)	(43)	(73)	(52)	1.68 kg
PT18Y	6.14	3.38	2.28	3.15	2.02	4.73 lbs
	(156)	(86)	(58)	(80)	(52)	2.15 kg

AVAILABLE SPARES:

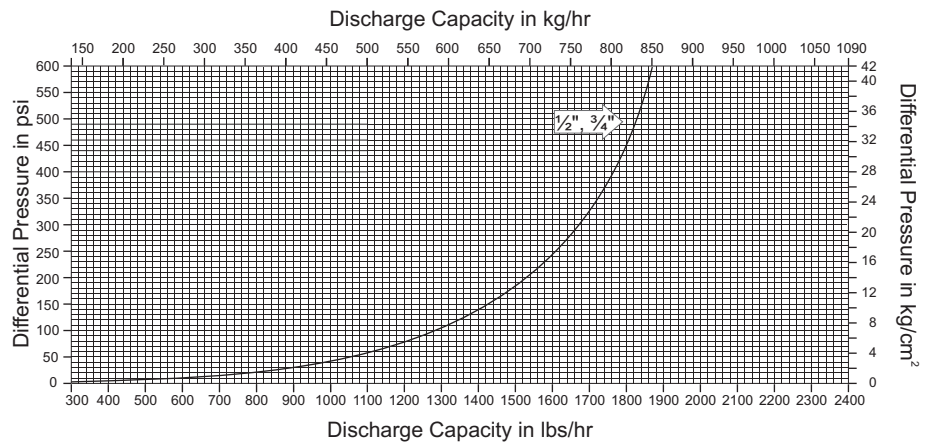
Disc, Gaskets, Strainer Screen (Packet of 5),
Blow-down Valve, Isotub.

ORDERING INFORMATION:

Refer to "HOW TO ORDER" page.

PT18

PT18Y


The above views show PT18 traps assembled with
PU11 / PU11Y connectors



Local regulations may restrict the use of this product below the conditions quoted. Limiting conditions refer to standard connections only. In the interest of development and improvement of the product, we reserve the right to change the specifications without prior notice.