

DESCRIPTION:

PT64H float and thermostatic (integral air vent) steam traps are designed for draining condensate from building heating installations and other low pressure and high condensation applications.

FEATURES:

Modulating discharge of hot condensate at close to saturation temperature. Good air venting facilitates a fast start-up. Suitable for high condensate load.

USE: Saturated and for superheated steam

SIZES: NPS2 (DN50)

CONNECTIONS: Screwed (NPT/BSPT/BSP)

LIMITING CONDITIONS:

PMA: Max allowable pressure	225 psig	16 kg/cm ² (g)
TMA: Max. allowable temperature	425 °F	220 °C
PMO: Max operating pressure	50 psig	3.5 kg/cm ² (g)
TMO: Max. operating temperature	425 °F	220 °C
Cold hydro test pressure	450 psig	32 kg/cm ² (g)

**INSTALLATION:**

It is important to install the trap with the label on the top and the connecting pipes horizontal.

Inlet and outlet connections are marked on the housing. For effective condensate removal, the trap should be fitted below the drain point of the system being drained.

WEIGHT (approx.) : 29 lbs (13.2 kg)

TRAP DISCHARGE CAPACITY IN lbs/hr

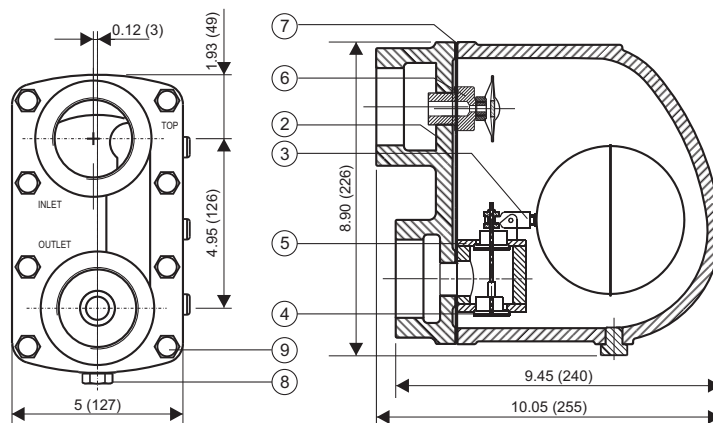
MODEL	Size	DIFFERENTIAL PRESSURE (psi)										
		¼	½	1	2	5	10	15	20	30	40	50
PT64H-50	2"	4000	5500	7000	9500	11000	12800	13800	16000	17300	18400	20600

TRAP DISCHARGE CAPACITY IN kg/hr

MODEL	Size	DIFFERENTIAL PRESSURE (kg/cm ²)										
		0.02	0.04	0.07	0.14	0.35	0.70	1.00	1.40	2.10	2.80	3.50
PT64H-3.5	DN50	1815	2495	3180	4315	4995	5810	6265	7265	7855	8355	9350

MATERIAL:

No.	PART	MATERIAL	QTY. (Nos.)
1.	BODY	CAST IRON	01
2.	COVER	CAST IRON	01
3.	BALL FLOAT & LEVER ASSY.	AISI 304	01
4.	VALVE	13% CR STEEL/	02
5.	VALVE SEAT	AISI 410/420	02
6.	AIR VENT	STAINLESS STEEL	01
7.	GASKET	CAF / Non CAF	01
8.	DRAIN PLUG	CARBON STEEL	01
9.	BOLT	HIGH TENSILE	08



All dimensions in inches (mm)

AVAILABLE SPARES:

Valve Seat, Ball Float & Lever Assy., Air Vent, Gaskets.

ORDERING INFORMATION:

Refer to "HOW TO ORDER" page.

Local regulations may restrict the use of this product below the conditions quoted. Limiting conditions refer to standard connections only. In the interest of development and improvement of the product, we reserve the right to change the specifications without prior notice.