

DESCRIPTION:

Cast iron float and thermostatic (internal air vent) steam traps are designed for draining condensate from all types of low and medium pressure steam heating and process equipment.

Typical applications include unit heaters, heat exchangers, driers and jacketed vessels.

Horizontal installation.

AVAILABLE TYPES:

- PT 65 - with thermostatic air vent
- PT 65S- SLR (with steam lock release)
- PT 65C - with thermostatic air vent and SLR.

FEATURES:

- Modulating discharge.
- Discharges condensate at steam temperature.
- Excellent air venting (by thermostatic air vent).

USE: Saturated and superheated steam.

SIZES: NPS 1 (DN25)

CONNECTIONS: Screwed (NPT, BSPT, BSP)

LIMITING CONDITIONS:

| | | |
|---------------------------------|----------|---------------------------|
| PMA: Max allowable pressure | 225 psig | 16 kg/cm ² (g) |
| TMA: Max. allowable temperature | 425 °F | 220 °C |
| PMO: Max operating pressure | 200 psig | 14 kg/cm ² (g) |
| TMO: Max. operating temperature | 425 °F | 220 °C |
| Cold hydro test pressure | 450 psig | 32 kg/cm ² (g) |



INSTALLATION:

Horizontal installation with flow from left to right

The trap should be installed horizontally below the drain point of the equipment in a position such that the float arm is in a horizontal plane and the float rises and falls vertically, with the flow direction as indicated on the cover.

The word 'TOP' on the nameplate indicates the top side of the trap.

- Max. differential pressure range:
- PT65-65 : 65 psi (4.5 kg/cm²)
 - PT65-145 : 145 psi (10 kg/cm²)
 - PT65-200 : 200 psi (14 kg/cm²)

TRAP DISCHARGE CAPACITY IN lbs/hr

| MODEL | SIZE | DIFFERENTIAL PRESSURE (psi) | | | | | | | | | | | | | | | | |
|----------|------|-----------------------------|------|------|------|------|------|------|-------|-------|-------|-------|-------|-------|-------|-------|-------|-------|
| | | 7 | 15 | 21.5 | 28.5 | 42.5 | 57 | 65 | 70 | 85 | 100 | 115 | 128 | 145 | 157 | 170 | 185 | 200 |
| PT65-65 | 1" | 1850 | 2080 | 2310 | 2540 | 2990 | 3455 | 3685 | ----- | ----- | ----- | ----- | ----- | ----- | ----- | ----- | ----- | ----- |
| PT65-145 | 1" | 1330 | 1440 | 1562 | 1672 | 1915 | 2145 | 2255 | 2376 | 2610 | 2840 | 3070 | 3300 | 3530 | ----- | ----- | ----- | ----- |
| PT65-200 | 1" | 935 | 1000 | 1056 | 1122 | 1243 | 1365 | 1420 | 1485 | 1606 | 1727 | 1848 | 1970 | 2090 | 2210 | 2343 | 2465 | 2585 |

Recommended safety factor: steady condns. 1.5 - 2; fluctuating condns. 2-3

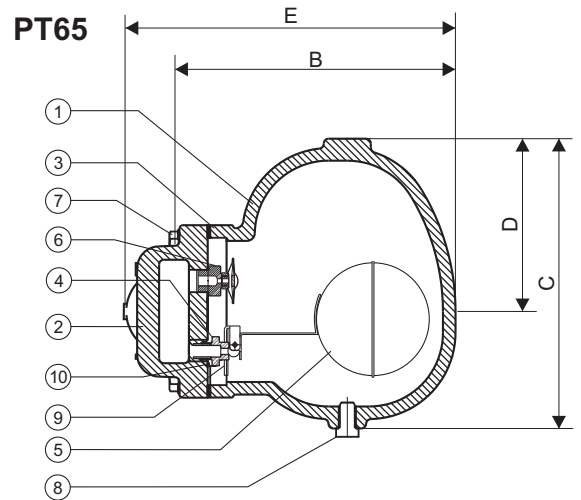
TRAP DISCHARGE CAPACITY IN kg/hr

| MODEL | SIZE | DIFFERENTIAL PRESSURE (kg/cm ²) | | | | | | | | | | | | | | | | |
|----------|------|---|-----|------|------|------|------|------|-------|-------|-------|-------|-------|-------|-------|-------|-------|-------|
| | | 0.5 | 1.0 | 1.5 | 2.0 | 3.0 | 4.0 | 4.5 | 5.0 | 6.0 | 7.0 | 8.0 | 9.0 | 10.0 | 11.0 | 12.0 | 13.0 | 14.0 |
| PT65-4.5 | DN25 | 840 | 945 | 1049 | 1155 | 1358 | 1569 | 1673 | ----- | ----- | ----- | ----- | ----- | ----- | ----- | ----- | ----- | ----- |
| PT65-10 | DN25 | 604 | 654 | 710 | 760 | 870 | 974 | 1024 | 1079 | 1185 | 1290 | 1394 | 1499 | 1603 | ----- | ----- | ----- | ----- |
| PT65-14 | DN25 | 425 | 454 | 480 | 510 | 565 | 620 | 645 | 675 | 730 | 785 | 839 | 895 | 949 | 1004 | 1064 | 1120 | 1174 |

Recommended safety factor: steady condns. 1.5 - 2; fluctuating condns. 2-3

MATERIAL:

| NO. | PART | MATERIAL | QTY.(Nos.) |
|-----|-----------------------------|--------------------------------|------------|
| 1. | BODY | CAST IRON | 01 |
| 2. | COVER | CAST IRON | 01 |
| 3. | GASKET | CAF / Non CAF | 01 |
| 4. | VALVE SEAT | 13% CR STEEL / AISI 410/420 | 01 |
| 5. | BALL FLOAT & LEVER ASSY. | AISI 304 | 01 |
| 6. | AIR VENT | STAINLESS STEEL | 01 |
| 7. | BOLT | ASTM 193 Gr. B7 | 04 |
| 8. | DRAIN PLUG | CARBON STEEL | 01 |
| 9. | BRACKET ASSY. | AISI 304 | 01 |
| 10. | GASKET | COPPER | 01 |
| 11. | SLR UNIT | AISI 304 | 01 |


DIMENSIONS - Nominal in inches (mm)

| SIZE | A | B | C | D | E | F | Wt. |
|------------|---------------|---------------|---------------|---------------|---------------|---------------|------------------|
| 1" DN25 | 4.75 (120) | 7.40 (188) | 6.90 (175) | 4.15 (105) | 8.45 (215) | 9.65 (245) | 15.4 lbs 7 kg |

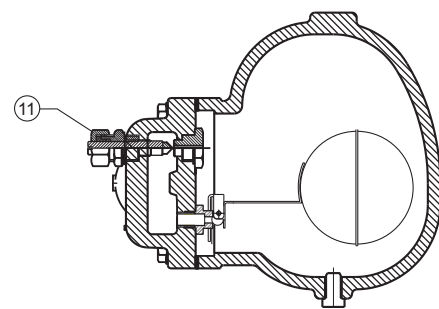
AVAILABLE SPARES:

Valve Seat, Ball Float & Lever Assy.,
Airvent, Gaskets.

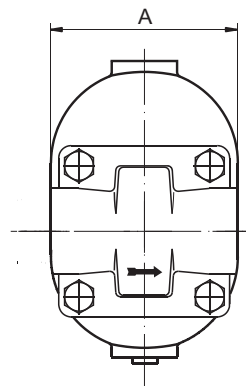
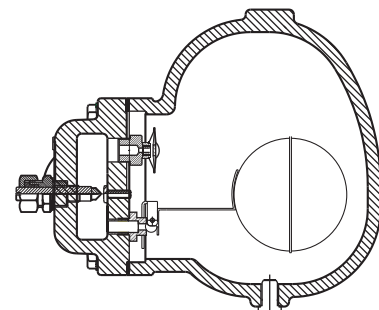
ORDERING INFORMATION:

Refer to "HOW TO ORDER" page.

PT65S STEAM LOCK
RELEASE (SLR)



PT65C THERMOSTATIC
AIR VENT + SLR



Local regulations may restrict the use of this product below the conditions quoted. Limiting conditions refer to standard connections only.
In the interest of development and improvement of the product, we reserve the right to change the specifications without prior notice.